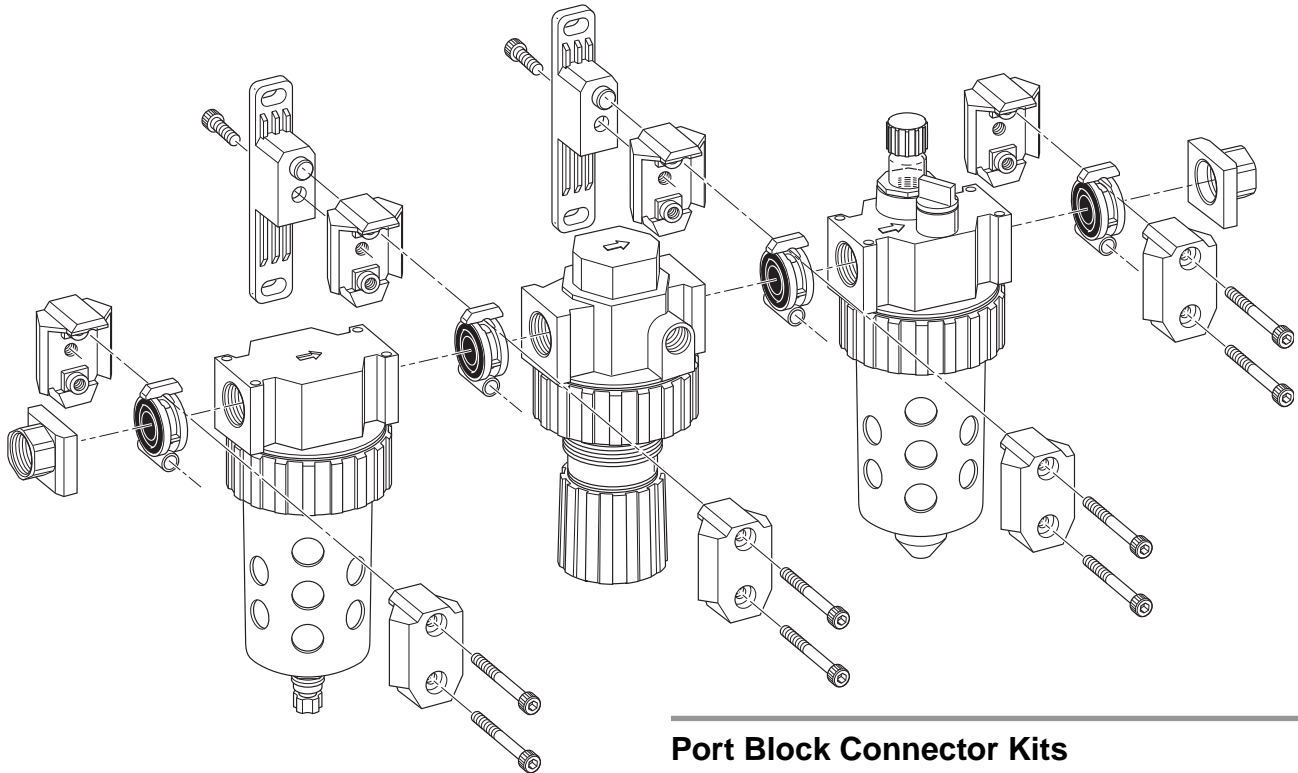




A

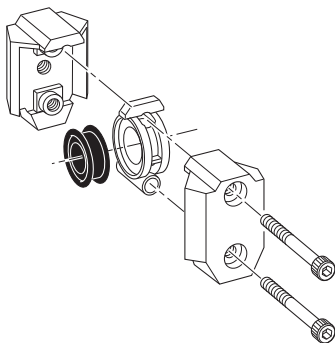
Modular Accessories – 06 Compact & 07 Standard Series



Body Connectors

06 SeriesPS754P

07 SeriesPS854P



Body Connectors allow you to easily assemble and disassemble Modular Combinations.

Each Kit includes one set.

Body Connectors are required whenever you assemble two or more pieces together.

Port Block Connector Kits

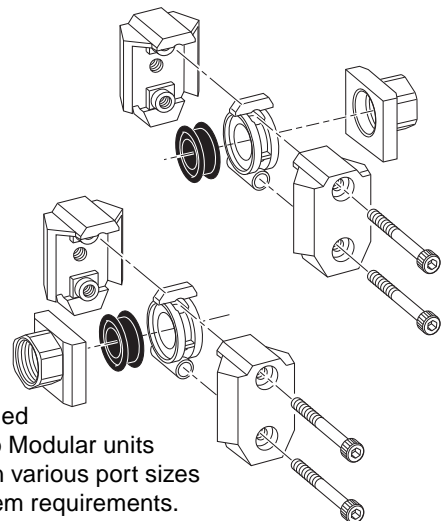
Series	Size	NPT	BSPB	BSPT
06 Series	1/4"PS750PPS765P [†]PS761P
	3/8"PS751PPS766P [†]PS762P
	1/2"PS752P*PS767P* [†]PS799P*

* Use 1/4 or 3/8 ported bodies.

[†] 1/4, 3/8 & 1/2 inch meet ISO 1179-1 Standard.

07 Series	1/4"PS850PPS865PPS861P
	3/8"PS851PPS866PPS862P
	1/2"PS852PPS867P [†]PS863P
	3/4"PS853PPS860PPS864P

[†] 1/2 inch meets ISO 1179-1 Standard.



Port Block Connectors allow you to make threaded port connections to Modular units and are available in various port sizes to match your system requirements.

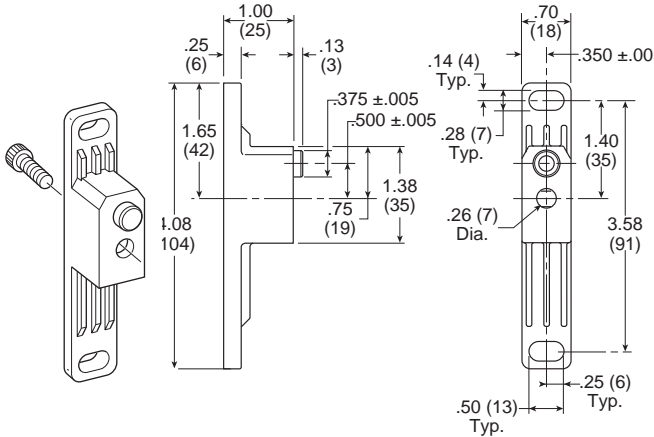
Each Kit includes all the necessary pieces to make two port connections.



Modular Accessories – 06 Compact & 07 Standard Series

Wall Mounting Kits

06 Series & 07 Series PS755P



Wall Mounting Kits are available for mounting your Modular Assemblies and can be assembled and used with any standard body connector set.

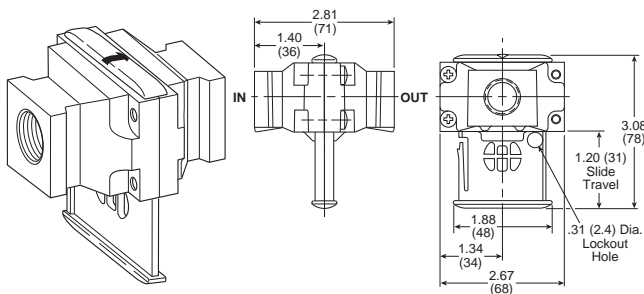
Since Modular Combinations are always identical in size, you can predrill for wall mounting on your equipment.

Kit includes 1 assembly.

Lockout Valves

06 Series PS756P 3/8" Port

07 Series PS856P 1/2" Port



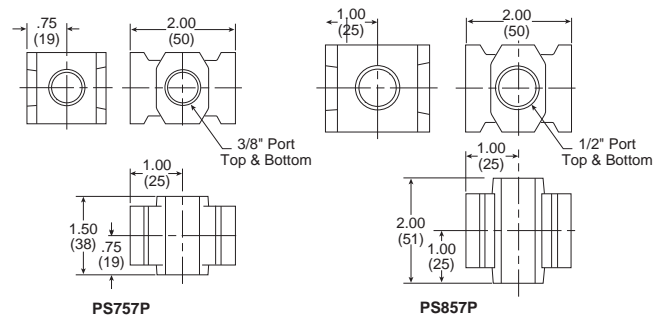
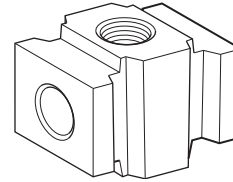
Lockout Valves provide positive shut-off and exhaust capability to isolate Modular units so they can be easily removed from the line and can be locked in a closed position. Center position can be used as a slow start. Accepts #3 padlock.

NOTE: Body Connectors are not supplied with Lockout Valves.

Modular Manifold Block

06 Series PS757P 3/8" Port

07 Series PS857P 1/2" Port



A Modular Manifold Block can be used between any two Modular units to give additional outlet ports. The Manifold Block provides 2 additional outlets in 3/8" and 1/2" sizes. Any standard pipe plug can be used to close off unused ports.

NOTE: Body Connectors are not supplied with Manifold Blocks.